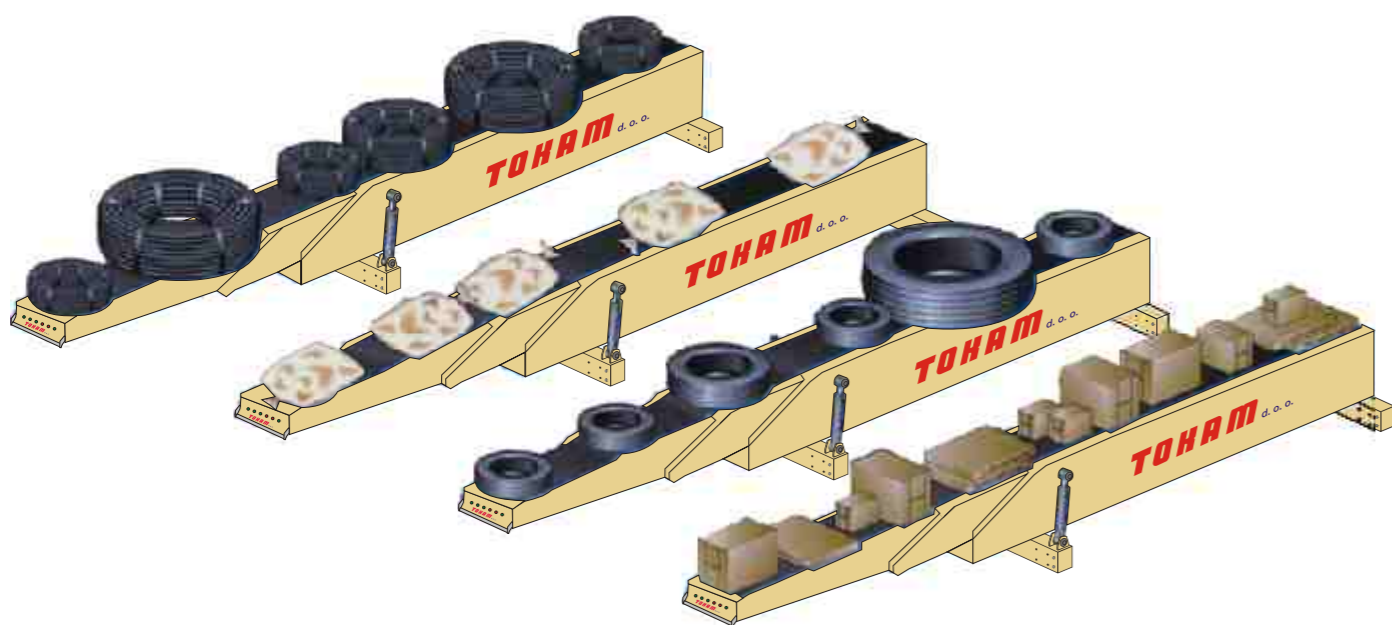




učinkovito | efficient

S teleskopskim transporterjem je bistveno olajšan naklad in razklad blaga kot so škatle, paketi, vreče, bale, zaboji, pnevmatike, torbe, koluti, itd. Primeren je za vse vrste kosovnega, torej še ne paletizirnega blaga. Delo s transporterjem je učinkovito in poveča produktivnost za 20 - 40%, kar zagotovo upravičuje in zagotavlja povrnitev investicije.

Using a telescopic transporter for loading and unloading goods is much more efficient and by increasing productivity for 20 - 40 % the initial reimbursement of investment is guaranteed.



TOKAM, d.o.o. Slovenija
Spodnja Ščavnica 74 a
9250 Gornja Radgona
Tel.: +386 (0)2 564 89 30
Fax: +386 (0)2 564 89 39
E-mail: info@tokam.si
Url: www.tokam.si



tračni teleskopski transporter | telescopic belt conveyor



zanesljivo in enostavno simple and reliable

Tračni teleskopski transporter odlikuje zanesljivost in konstrukcijska enostavnost. S svojo učinkovito uporabnostjo omogoča uporabniku enostavnejši, hiter, varen, preprost in učinkovit naklad ter razklad blaga kamionov in kontejnerjev. Za varnost poskrbijo varnostne zavore in stop stikalo. Zaradi omenjenega in zaradi preproste uporabe transporterja niso potrebne predhodne izkušnje in posebno izobraževanje.

Telescopic belt conveyor is characterised by constructive simplicity and reliability. The direct loading and unloading of separate packages with the proper equipment is faster, safer and more efficient than the widely spread stacking on pallets in the loading zone. The constant flow of load zeroes all the waiting time out.

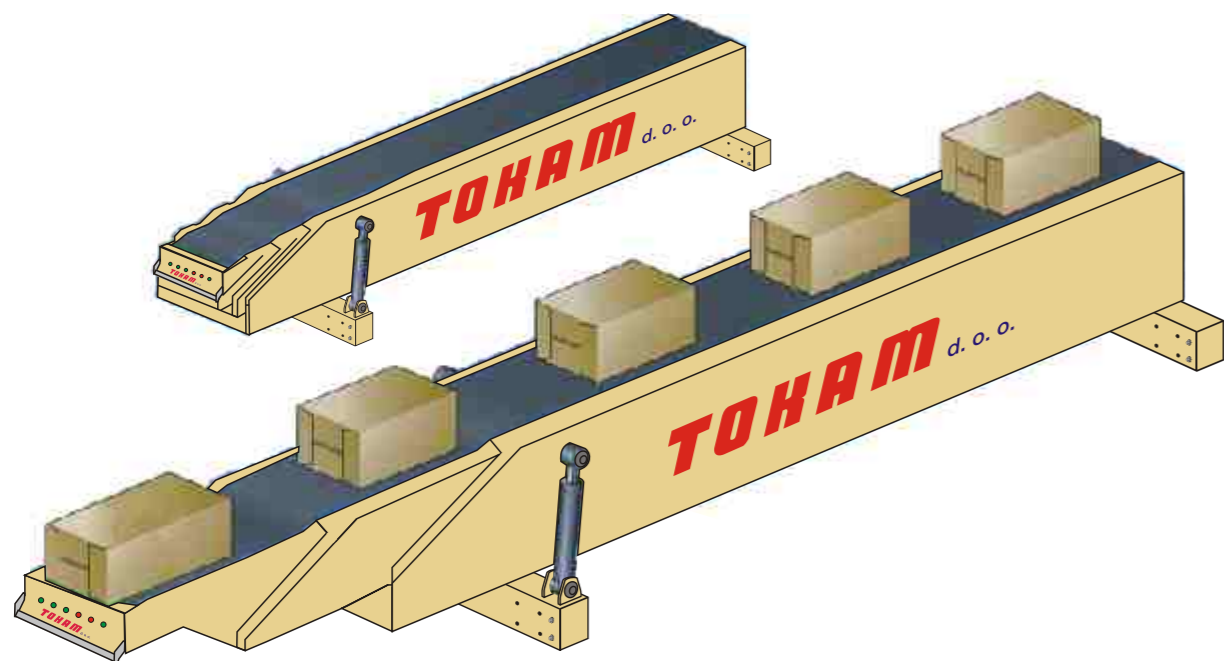
The security brakes and the emergency stop button are easy to be found and handled. Because of these advantages the personnel does not need to be trained and does not need any experience.

V primeru, ko je prostorsko onemogočen dostop do samega mesta nakladanja / razkladanja, je mogoče teleskopski transporter dodatno opremiti s posebno košaro, ki je primerna za enega ali dva delavca, ki nakladata oziroma razkladata blago. Košara je obešena na transporter in prilagojena na potrebno delovno višino.

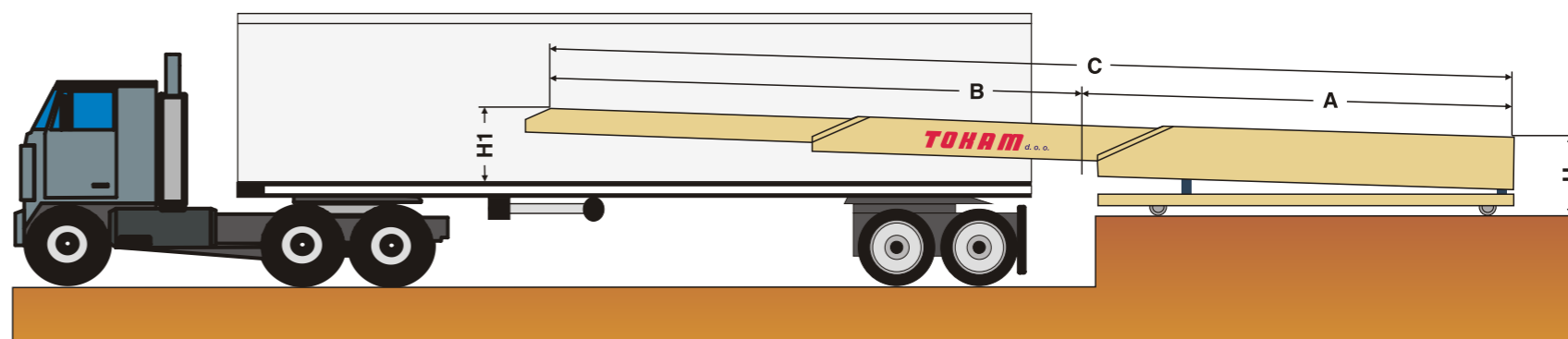
Platform for one or two workers is fitted on most suitable height on the front of telescopic transporter. Accessibility to difficult reachable places is rescued by this additional option using basket platform.

Za premikanje teleskopskega transporterja med nakladalnimi mesti ponujamo različne opcije, ki se določijo in izvedejo po specifičnih potrebah in zahtevah uporabnika.

A geared motor drives the wheels to allow the conveyor to be moved automatically between docks. Performance option is carried out by special customers' requirements.

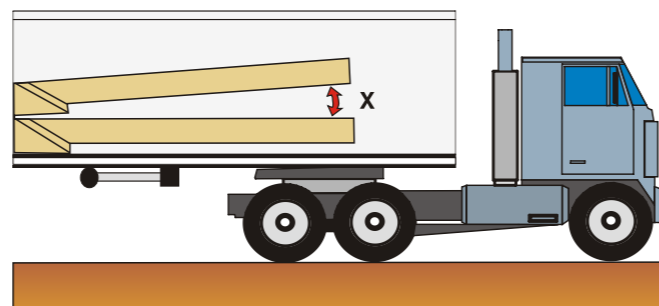


TIP/TYPE	A	B	B1	B2	C	H	H1	X
TELE 3-4-600	3000 mm	4000 mm	945 mm	1200 mm	7000 mm	850 mm	1340 mm	+4°
TELE 5-6,5-600	5000 mm	6500 mm	945 mm	1680 mm	11500 mm	850 mm	1680 mm	+4°
TELE 6-11-600	6000 mm	11000 mm	945 mm	1680 mm	17000 mm	850 mm	1850 mm	+4°



Naklon tračne površine s pomočjo dveh hidravličnih cilindrov, ki se upravljata preko kontrolne plošče zagotavlja nastavitev optimalne delovne višine posameznemu delavcu v kamionu ali kontejnerju. Z naklonom na skrajnem koncu transporterja dosežemo določeno višino, kar omogoča naklad kamiona ali kontejnerja do vrha nakladalnega prostora. S teleskopskim transporterjem prihranite do 75% časa nakladanja / razkladanja.

Belt surface inclination is performed by two hydraulic cylinders which are managed by control panel. This option enables operator to set the optimal work height needed for load/unload goods in different cargo and freight places. Telescopic transporters save up to 75% of lading/unloading time.



varnost|safety

Varnost je bila ena osnovnih vodil pri konstruiranju transporterja. Senzor na obeh skrajnih koncih transporterja izklopi tek traku, kadar ta zazna, da je škatla še na traku. S tem je omogočeno varno opravljanje dela in hkrati preprečeno, da bi se blago kopičilo na razkladalnem mestu ali padlo s traku.

Security was main guidance when telescopic transporter was projected and constructed. Optical sensors at the conveyors' end avoid the goods to fall off or to heap up at the conveyors' end. Additional four pcs of rollers are placed at the end for that reason as well as for easily loading / inloading...

